



### Super Dynamic Compact size Camera for ATM with advanced features

#### Key Features

- **Super Dynamic 6** technology delivers 160x wider dynamic range compared to conventional cameras.
- High resolution: 650 TV lines
- High sensitivity with Day/Night(Electrical) function: 0.04 lx (Color), 0.02 lx, (B/W) at F1.2 equivalence, Sens up 4x.
- 3.6 mm fixed iris lens (WV-CF432N1E).
- 3.7 mm pinhole fixed iris lens (WV-CF432T1E).
- Wide coverage  
(WV-CF432N1E: Horizontal: 73°/ Vertical: 57°/ Opposite angle: 98°, WV-CF432T1E: Horizontal: 77.5°/ Vertical: 55°/ Opposite angle: 98°)
- Electronic shutter from 1/50 to 1/120,000 sec.
- 16 axis matrix color compensation function enables wider range of natural color adjustment.
- Adaptive Digital Noise Reduction: Integration of 2D-DNR and 3D-DNR ensures noise reduction in various conditions.
- Electronic sensitivity enhancement: Auto (Up to 32x)
- Digital zoom: Up to 2x
- Internal synchronization
- 16 alphanumeric camera title display
- Lens Distortion Correction
- VMD (Video Motion Detection) function allows the camera to detect motion and scene change with the camera. Detection of motion or scene change with the camera can be announced by issuing an alarm signal.
- Wide Ambient Operation Temperature: Handles -10 °C to +65 °C
- On screen display menu

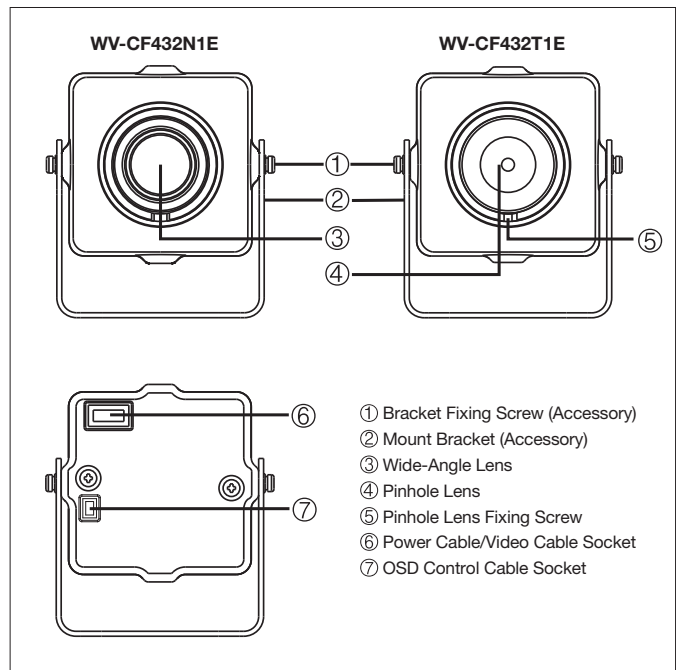
#### Standard Accessories

• Installation Guide .....	1 pc.
• Operating Instructions .....	1 pc.
• Camera Mount bracket .....	1 pc.
• Power cable/Video cable (about 1200 mm) .....	1 pc.
• Bracket fixing screw .....	2 pcs.
• OSD control wire (about 545 mm) .....	1 pc.

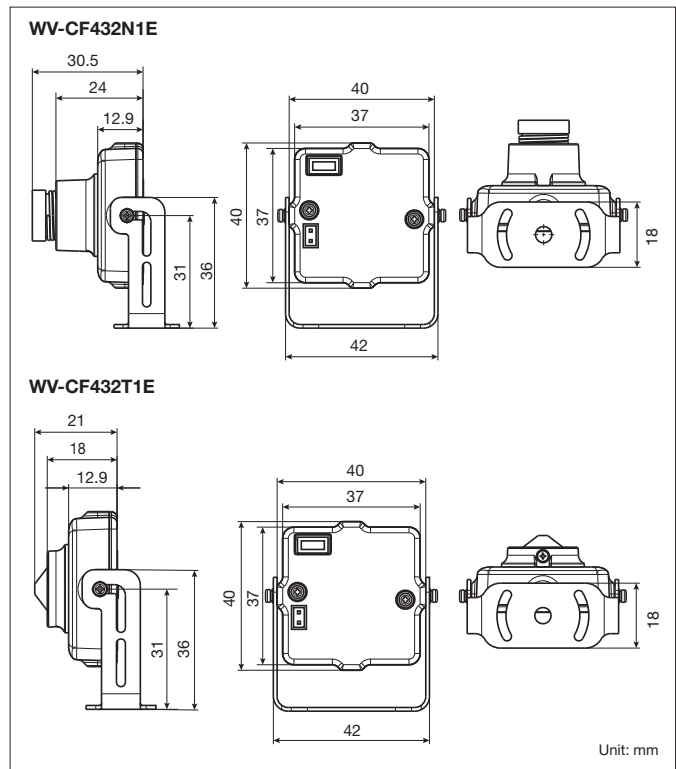
## WV-CF432N1E / WV-CF432T1E Specifications

	WV-CF432N1E	WV-CF432T1E	
<b>Camera</b>	Image Sensor	1/3 type interline transfer CCD	
	Effective Pixels	976 (H) x 582 (V)	
	Scanning Mode	Interlaced scanning 2:1	
	Scanning Area	4.8 mm (H) x 3.6 mm (V)	
	Scanning Frequency	Horizontal : 15.625 kHz Vertical : 50.00 Hz	
	Horizontal Resolution	650 TV lines	
	Vertical resolution	400 TV lines	
	Minimum Illumination	Color : 0.04 lx (F1.2 equivalence, Sens up 4x) (color mode) B/W : 0.02 lx (F1.2 equivalence, Sens up 4x) (black-and-white mode)	
	Noise-signal ratio	52 dB (gain control off and weighting on)	
	White Balance	AWC (2,000 ~ 10,000 K), ATW1 (2,700 ~ 6,000 K), ATW2 (2,000 ~ 6,000 K)	
	Light Control Mode	ELC	
	AGC	AUTO (High/Mid/Low), OFF	
	Super Dynamic 6	ON/OFF	
	Electronic Sensitivity UP	OFF/AUTO (x2, x4, x6, x10, x16, x32)	
	Day & Night (Electrical)	OFF/AUTO	
	Digital Noise Reduction	LOW/HIGH	
	Scene File	2 patterns	
	Video Motion Detection	OFF / MOTION DET / SCENE CHANGE	
	Privacy Zone	ON(1) / ON(2) / OFF	
	Lens distortion correction	0 to 255	
Electronic zoom	ON (2 times at most)/OFF		
UPSIDE-DOWN	ON/OFF		
Camera title	16 alphanumeric characters		
Synchronization	Internal (INT)		
<b>Lens</b>	Lens	Fixed iris lens	
	Focal Length	3.6 mm	3.7 mm
	Iris aperture	F2.0	F2.5
	Angular Field of View	Horizontal : 73° Vertical : 57° Opposite angle : 98°	Horizontal : 77.5° Vertical : 55° Opposite angle : 98°
	Adjusting angle	Tilt angle : 360°	
<b>Input / Output</b>	Video Output	1.0 V [p-p] / PAL composite 75 Ω	
<b>General</b>	Power Source and Power Consumption	12 V DC : 140 mA	
	Ambient Operating Temperature	-10 °C ~ +65 °C	
	Ambient Operating Humidity	Less than 90 % (without condensation)	
	Dimensions (excluding the lens)	40 mm(W) x 40 mm(H) x 24 mm(D)	40 mm(W) x 40 mm(H) x 18 mm(D)
	Mass (approx.)	38 g	35.5 g

## Part Names and Functions



## Appearance



### Trademarks and registered trademarks

- "SD6" logo is trademark or registered trademark of Panasonic Corporation.

### Important

- Safety Precaution: Carefully read the Important Information, Installation Guide and operating instructions before using this product.  
- Panasonic cannot be responsible for the performance of the network and/or other manufacturers' products used on the network.

• Masses and dimensions are approximate.  
• Specifications are subject to change without notice.

DISTRIBUTED BY:

# Panasonic

<http://security.panasonic.com>

<http://www.facebook.com/PanasonicNetworkCamera>

(2A-124A)