

IK-4142B-MH/W Wi-Fi Kit

Key Feature

- H.264+/H.264 video compression
- Automatic Wi-Fi connection
- 4 × 2 MP IR fixed network bullet camera
- 1 x NVR, full channel recording at up to 4 MP resolution



Camera

- 1/2.8" Progressive Scan CMOS
- 1920 × 1080@30 fps
- 2.8 mm fixed lens
- Color: 0.01 Lux @(F1.2; AGC ON), 0.028 Lux @(F2.0; AGC ON)
- 3D Digital Noise Reduction
- Audio I/O: 1 built-in mic, mono sound

NVR

- Up to 4-ch network camera inputs (up to 4 MP)
- 2-ch@1080p/1-ch@4 MP decoding capability
- Dual external antenna design for Wi-Fi
- HDMI/VGA output with up to 1920 × 1080 resolution
- HiLookVision for easy network management

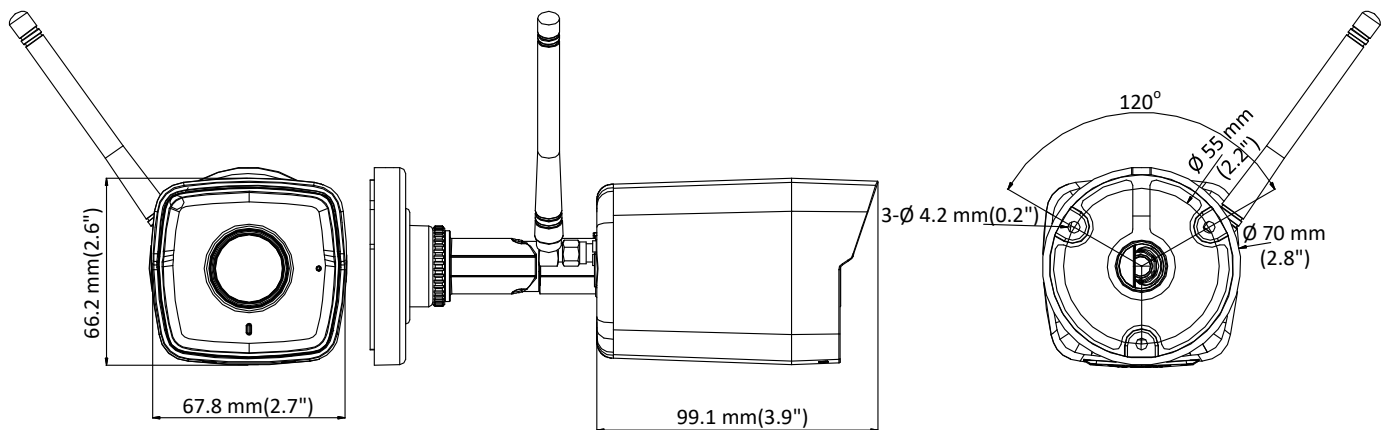
Specification

Kit Model	IK-4142B-MH/W
Camera Model	4 × IPC-B120-D/W(T) (2.8 mm)
NVR Model	NVR-104MH-D/W
Camera	
Image Sensor	1/2.8" Progressive Scan CMOS
Min. Illumination	Color: 0.01 Lux @(F1.2; AGC ON), 0.028 Lux @(F2.0; AGC ON)
Shutter Speed	1/3 s to 1/100,000 s
Day & Night	IR cut filter
WDR	DWDR
Angle Adjustment	Pan: 0° to 360°, tilt: -90° to 90°, rotate: 0° to 90°
Protection Level	IP66
Material	Front cover: metal, back cover: plastic
Lens	
Focal Length	2.8 mm
Aperture	F2.0
Focus	Fixed
FOV	Horizontal FOV: 114.5°, vertical FOV: 62°, diagonal FOV: 135.5°
Lens Mount	M12
IR	
IR Range	Up to 30 m
Compression Standard	
Video Compression	Main stream: H.264+/H.264 Sub-stream: H.264, MJPEG
H.264 Type	Baseline Profile/Main Profile
H.264+	Main Profile
H.265 Type	No
H.265+	No
Audio Compression	G.711/G.722.1/G.726/MP2L2/PCM
Audio Bit Rate	64 Kbps (G.711)/16 Kbps (G.722.1)/16 Kbps (G.726)/32 to 160 Kbps (MP2L2)
Video Bit Rate	32 Kbps to 8 Mbps
Audio Sampling Rate	8 kHz/16 kHz
Environment Noise Filtering	Yes
Image	
Max. Resolution	1920 × 1080
Main Stream	50 Hz: 25 fps (1920 × 1080, 1280 × 720) 60 Hz: 30 fps (1920 × 1080, 1280 × 720)
Sub-stream	50 Hz: 25 fps (640 × 480, 640 × 360, 320 × 240) 60 Hz: 30 fps (640 × 480, 640 × 360, 320 × 240)
Image Setting	Rotate mode, saturation, brightness, contrast, sharpness, AGC, white balance adjustable by client software or web browser
Day/Night Switch	Auto/Scheduled/Day/Night
Network	
Alarm Trigger	Motion detection, video tampering, illegal login
Protocols	TCP/IP, ICMP, HTTP, HTTPS, FTP, DHCP, DNS, DDNS, RTP, RTSP, RTCP, NTP, UPnP,

	SMTP, IGMP, IPv6, UDP, QoS, Bonjour
General Function	Anti-flicker, heartbeat, mirror, password protection, privacy mask, watermark
Client	iVMS-4200, HiLookVision, iVMS-5200, iVMS-4500
Interface	
Communication Interface	1 RJ45 10M/100M self-adaptive Ethernet port
Audio I/O	1 Built-in mic, mono sound
Video Out	No
Alarm I/O	No
Reset Button	No
General	
Power Supply	12 VDC \pm 25%, 0.4 A, Φ 5.5 mm coaxial plug power
Consumption	\leq 5 W
Working Temperature	-30 $^{\circ}$ C to 60 $^{\circ}$ C (-22 $^{\circ}$ F to 140 $^{\circ}$ F)
Working Humidity	95% or less (non-condensing)
Dimension (W \times D \times H)	99 mm \times 68 mm \times 66 mm (3.9" \times 2.7" \times 2.6")
Weight	272 g (0.6 lb)
NVR	
Video and Audio	
IP Video Input	4-ch
	Up to 4 MP resolution
Incoming/Outgoing Bandwidth	50 Mbps/40 Mbps
HDMI/VGA Output	1-ch, resolution: 1920 \times 1080/60Hz, 1280 \times 1024/60Hz, 1280 \times 720/60Hz, 1024 \times 768/60Hz
Audio Output	1-ch, RCA (linear, 1 K Ω)
Decoding	
Decoding Format	H.265+/H.265/ H.264+/H.264
Video Resolution	4 MP/3 MP/1080p/1.3 MP/720p
Synchronous Playback	4-ch
Capability	2-ch@1080p / 1-ch@4 MP
Network	
Network Interface	1, RJ45 10/100M Ethernet interface
Network Protocol	IPv6, UPnP™, NTP, SADP, DHCP
Remote Connection	16
Wi-Fi	
Frequency Band	2.4 GHz
Antenna Structure	2 \times 2MIMO
Transmission Speed	144 Mbps
Transmission Standard	IEEE 802.11b/g/n
Auxiliary interface	
SATA	1 SATA interface
Capacity	Up to 6 TB capacity for each disk
USB Interface	Rear panel: 2 \times USB 2.0
Alarm In/Out	No
General	

Power Supply	12 VDC
Consumption (without HDD)	≤ 12 W
Working Temperature	-10 °C to 55 °C (14 °F to 131 °F)
Working Humidity	10% to 90%
Dimension (W × D × H)	260 mm × 246 mm × 48 mm (10.2" × 9.7" × 1.9")
Weight (without hard disk)	≤ 1 kg (2.2 lb)
Kit	
Accessories	Power: 5 power cables Network cable: 4 × 18.3 m (60 ft) video and power cable HDMI cable: 1 HDMI cable
Hard Drive	Pre-installed with a 1 TB HDD
Certification	FCC, CE
Weight (with package)	≤ 6 kg (13.2 lb)

Camera Dimension

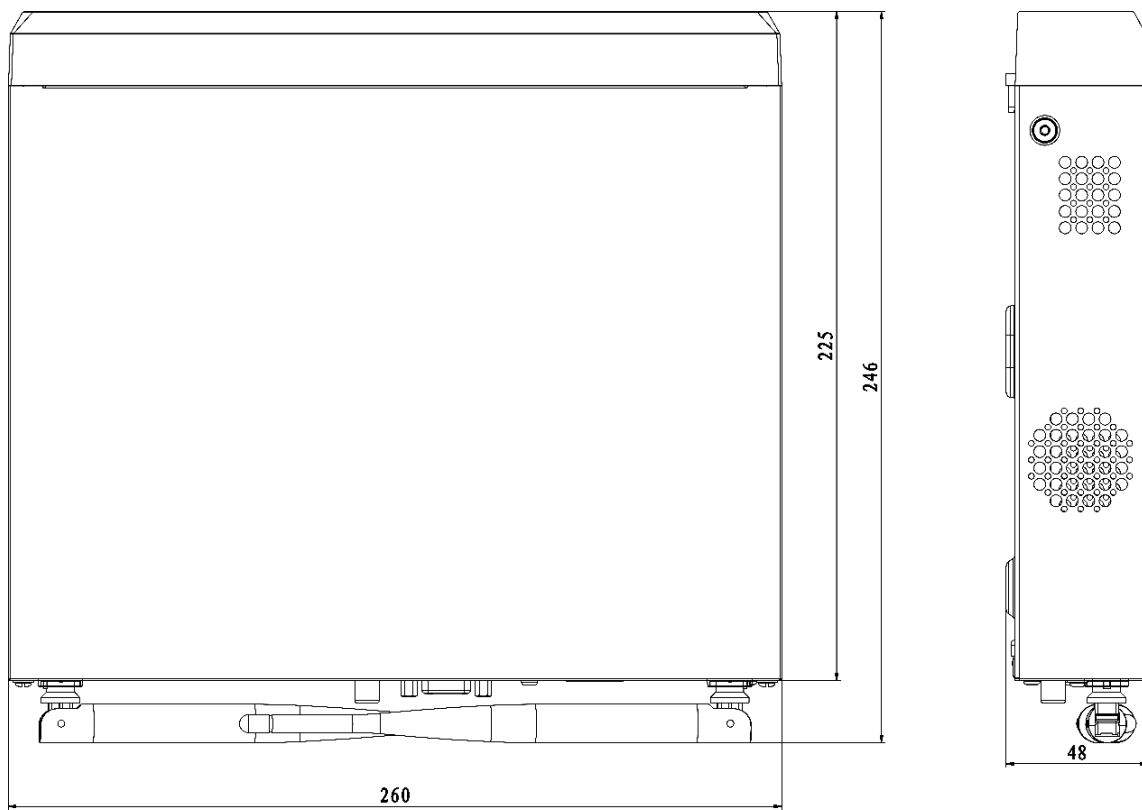


Accessory



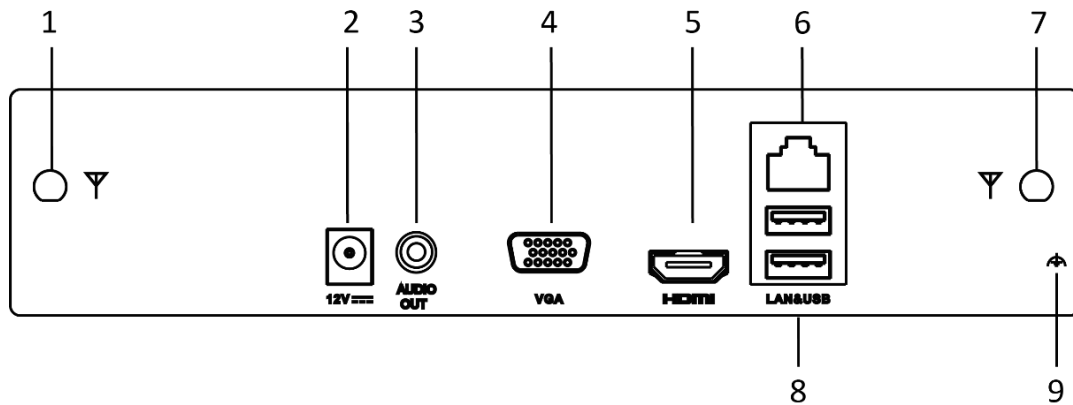
HIA-J101
Junction Box

NVR Dimension



Unit: mm

Physical Interface



No.	Description	No.	Description
1	Wi-Fi Antenna	6	LAN
2	Power Supply	7	Wi-Fi Antenna
3	Audio Out	8	USB
4	VGA Interface	9	Ground
5	HDMI Interface		

Available Model

IK-4142B-MH/W